



Handling System for Hood type Dishwasher Service Shelf, 700mm (entry level HT)

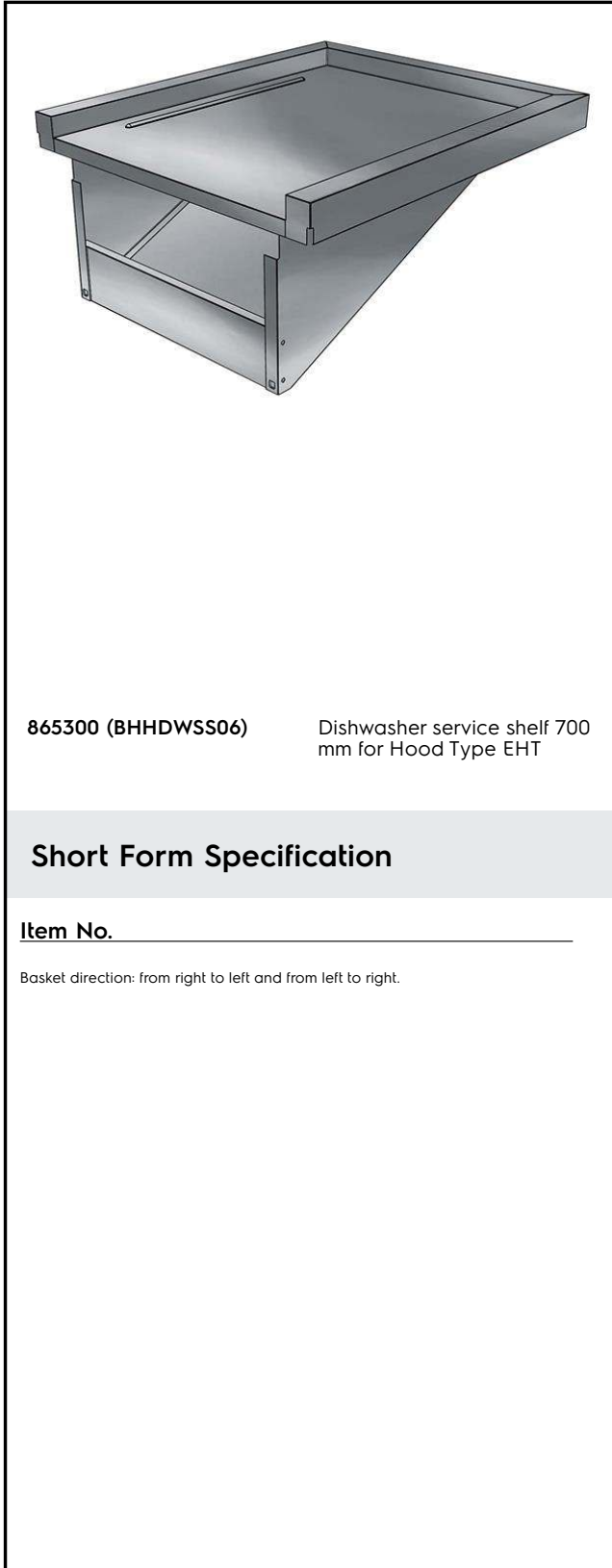
ITEM # _____

MODEL # _____

NAME # _____

SIS # _____

AIA # _____



865300 (BHHDWSS06)

Dishwasher service shelf 700 mm for Hood Type EHT

Short Form Specification

Item No. _____

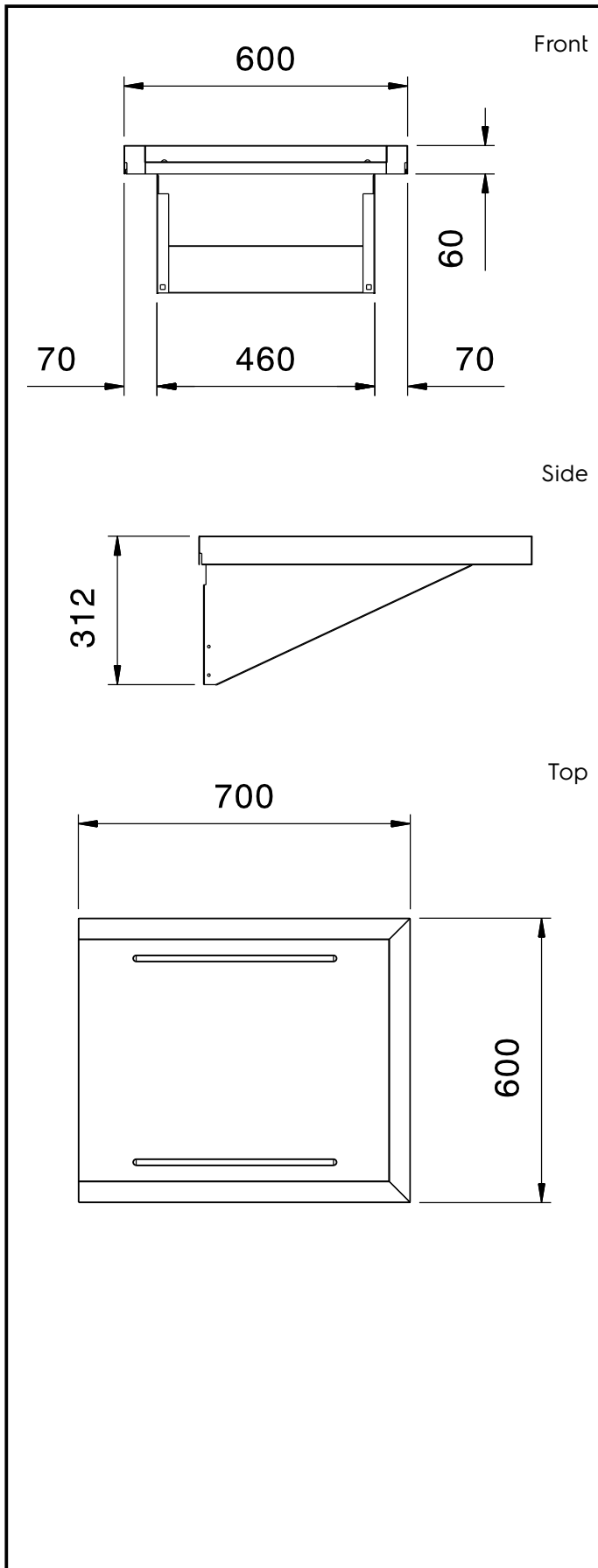
Basket direction: from right to left and from left to right.

Construction

- 304 AISI stainless steel construction throughout.
- Shelves installed on the hood type dishwasher.

APPROVAL: _____





Key Information:

External dimensions, Width:	
865300 (BHHDWSS06)	700 mm
External dimensions, Depth:	600 mm
External dimensions, Height:	310 mm
Net weight:	6 kg